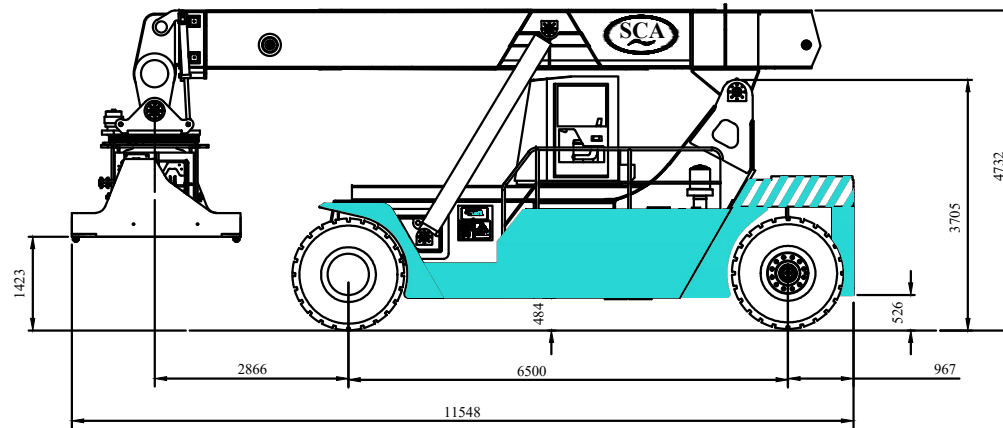


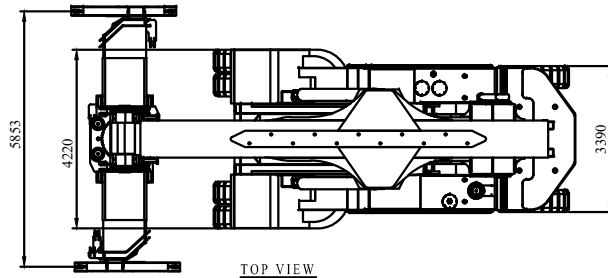
This drawing is strictly private and confidential. It is the exclusive property of SCA HEAVY EQUIPMENT PVT. LTD., and must not be used, copied or reproduced in part or whole without the company's written permission.



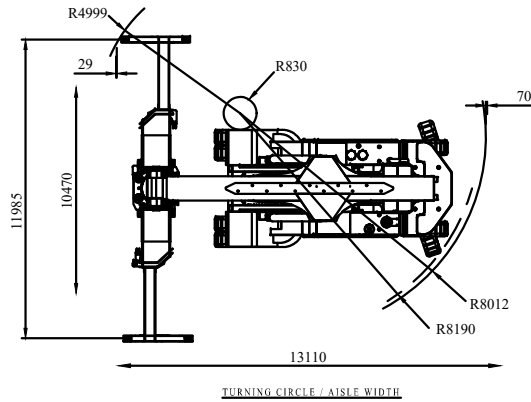
| REV. | CHANGE | BY | APP | DATE |
|------|--------|----|-----|------|
|      |        |    |     |      |



GENERAL VIEW

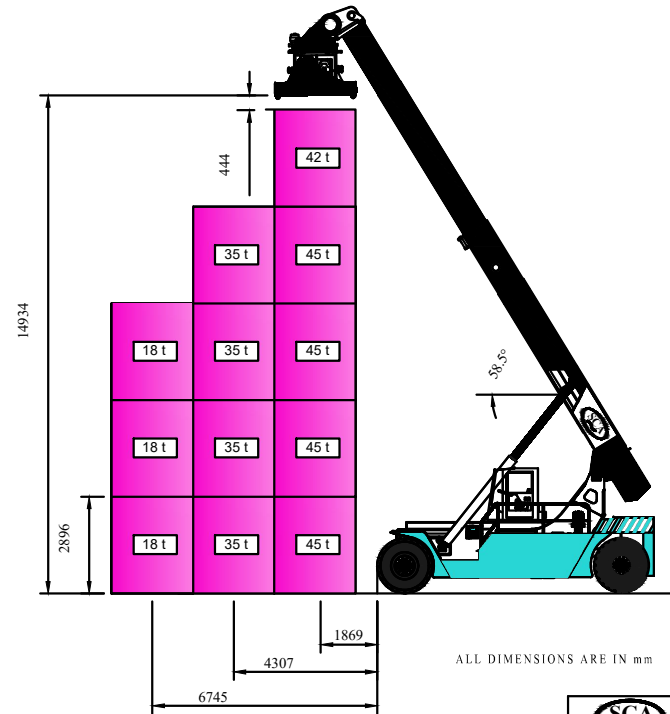


TOP VIEW



TURNING CIRCLE / AISLE WIDTH

LIFTING CAPACITY IN TONS



ALL DIMENSIONS ARE IN mm

| MACHINING DEVIATIONS FOR LINEAR DIMENSIONS | ABOVE UP TO AND INCLUDING |      |      |      |      |      |      | REF IS 2102 (PART-1) 1993 |
|--|---------------------------|------|------|------|------|------|------|---------------------------|
|  | 3                         | 6    | 30   | 120  | 400  | 1000 | 2000 |                           |
| VALUE                                      | +0.1                      | +0.2 | +0.3 | +0.5 | +0.8 | +1.2 | +2   |                           |

| MACHINING DEVIATIONS FOR ANGULAR DIMENSIONS | ABOVE UP TO AND INCLUDING |      |      |      | MACHINING VALUES  |  |
|---|---------------------------|------|------|------|---|--|
|   | 10                        | 50   | 120  | -    |   |  |
| VALUE                                       | ±1°                       | ±30' | ±20' | ±10' | 8 to 25 Ra $\mu$ m<br>1.6 to 8 Ra $\mu$ m<br>0.25 to 1.6 Ra $\mu$ m<br>< 0.025 Ra $\mu$ m |  |

|  |  |            |     |      |                  |
|--|--|------------|-----|------|------------------|
| <b>SCA</b> SCA HEAVY EQUIPMENT PVT. LTD. |  |            |     |      |                  |
| BANGALORE-560058, INDIA                  |  |            |     |      |                  |
| MATERIAL:                                | ALL DIMENSIONS ARE IN MM                       |            |     | SIGN | DATE             |
| FILE                                     |  | SCALE 1:20 |     | DRN  | AMR 29/06/2015   |
| WEIGHT:                                  | TYPE   | LCH-RS 45  | QTY | 1NO  | APP              |
| TITLE:                                   | LOADED CONTAINER HANDLING REACH STACKER-45 TON |            |     |      | DRG.NO. 21000    |
| DO NOT SCALE THE DRAWING                 |  |            |     |      | SHT NO. : 1 OF 1 |